

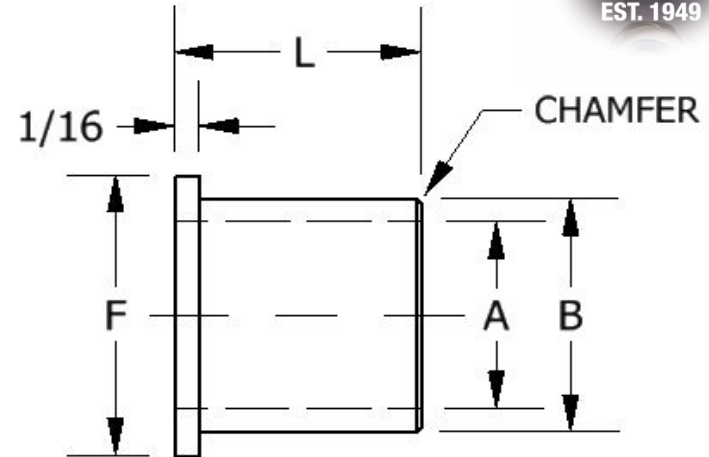


NYLON BUSHING (More Common Sizes)



FLANGED BUSHINGS

PART NUMBER	A	B	F	L
	I.D.	O.D.	FLANGE DIA	LENGTH
3-1F x 5/16	3/16	5/16	7/16	5/16
3-1F x 1/4	3/16	5/16	7/16	1/4
4-1F x 5/16	1/4	3/8	1/2	5/16
4-1F x 3/8	1/4	3/8	1/2	3/8
4-1F x 1/2	1/4	3/8	1/2	1/2
5-1F x 5/16	5/16	7/16	9/16	5/16
5-1F x 7/16	5/16	7/16	9/16	7/16
5-1F x 1/2	5/16	7/16	9/16	1/2
6-1F x 5/16	3/8	1/2	5/8	5/16
6-1F x 3/8	3/8	1/2	5/8	3/8
6-1F x 1/2	3/8	1/2	5/8	1/2
8-1F x 1/2	1/2	5/8	3/4	1/2
8-1F x 5/8	1/2	5/8	3/4	5/8
8-2F x 3/4	1/2	3/4	7/8	3/4
8-2F x 1	1/2	3/4	7/8	1
10-1F x 3/8	5/8	3/4	15/16	3/8
10-1F x 3/4	5/8	3/4	15/16	3/4
12-1F x 7/8	3/4	7/8	1 1/16	7/8
16-2F x 1	1	1 1/4	1 7/16	1



CUSTOM SIZES AND COLORS AVAILABLE UPON REQUEST
ALL PRICES F.O.B. BEREA OHIO



NON FLANGED BUSHINGS

PART NUMBER	A	B	L
	I.D.	O.D.	LENGTH
6-1P x 3/8	3/8	1/2	3/8
6-1P x 1/2	3/8	1/2	1/2
8-1P x 3/8	1/2	5/8	3/8
8-1P x 5/8	1/2	5/8	5/8

TOLERANCE NOTE

- A- (ID) The ID is measured with the OD confined in the nominal size bore. The ID will then accept a nominal to plus .005" shaft.
- B- (OD) The OD is molded approximately .005" over the nominal diameter.
- F- (Flange Diameter) +/- .015"
- E- (Flange Thickness) +/- .005"
- L - (Overall Length Of Part) +/- .015"